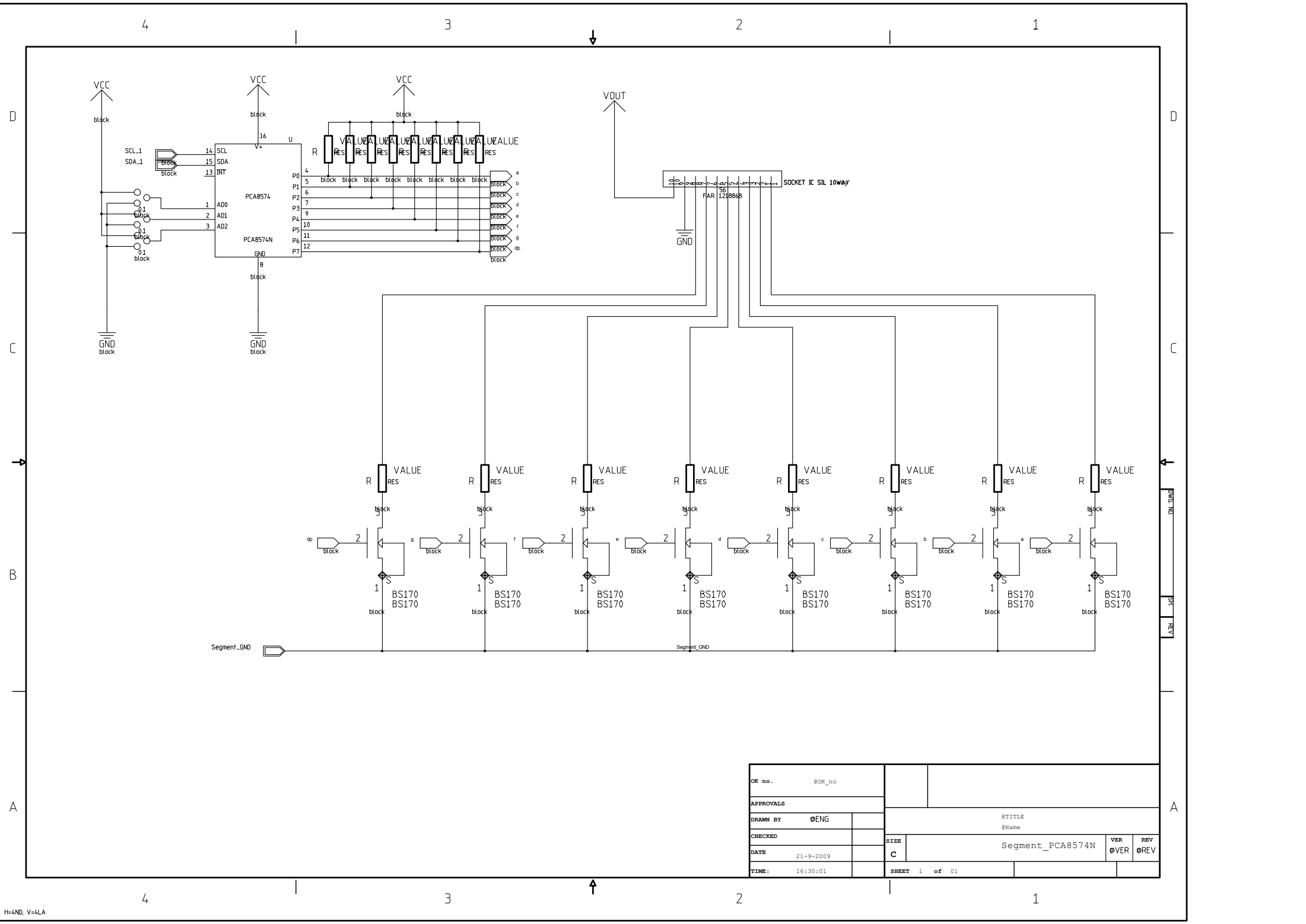
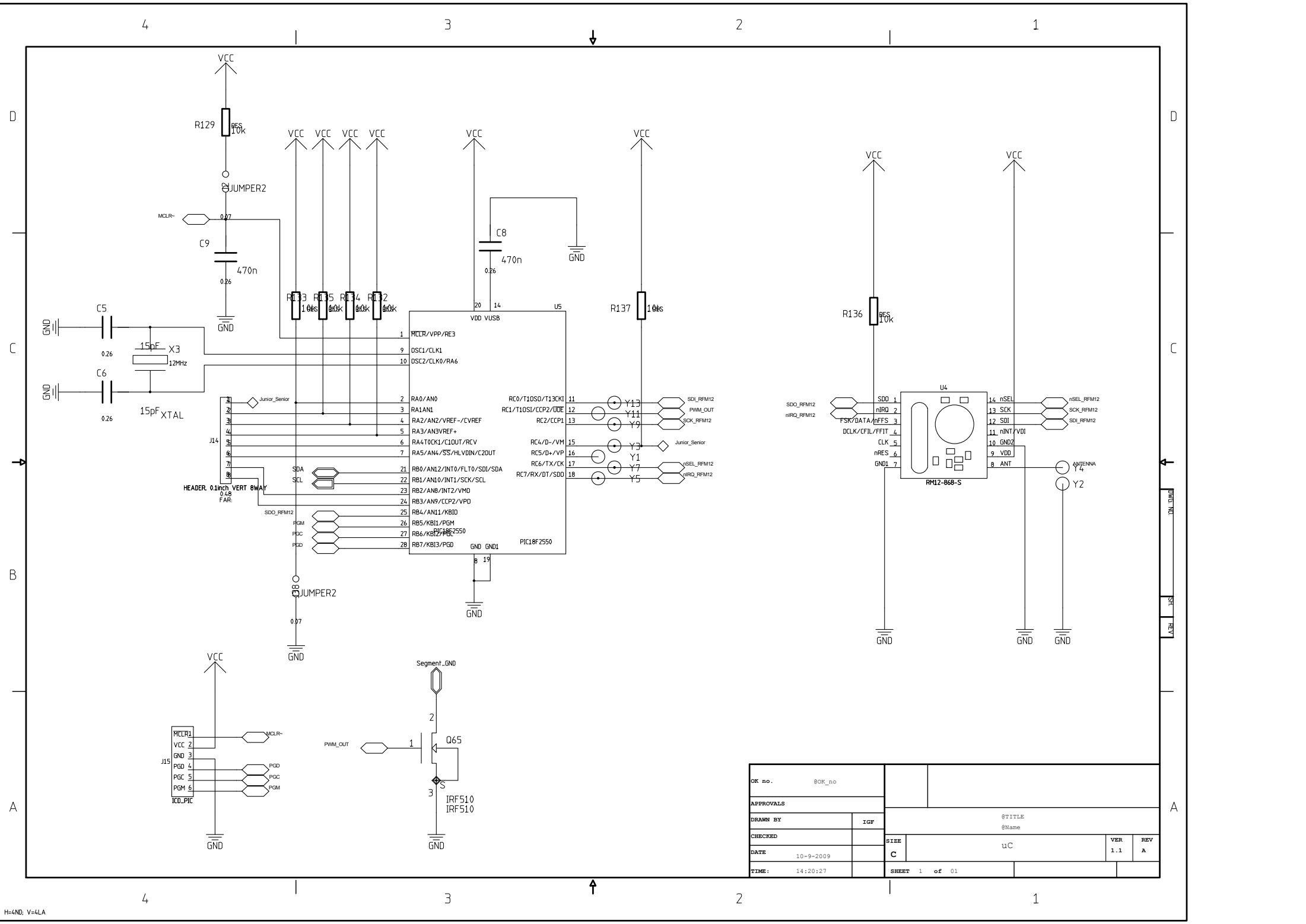


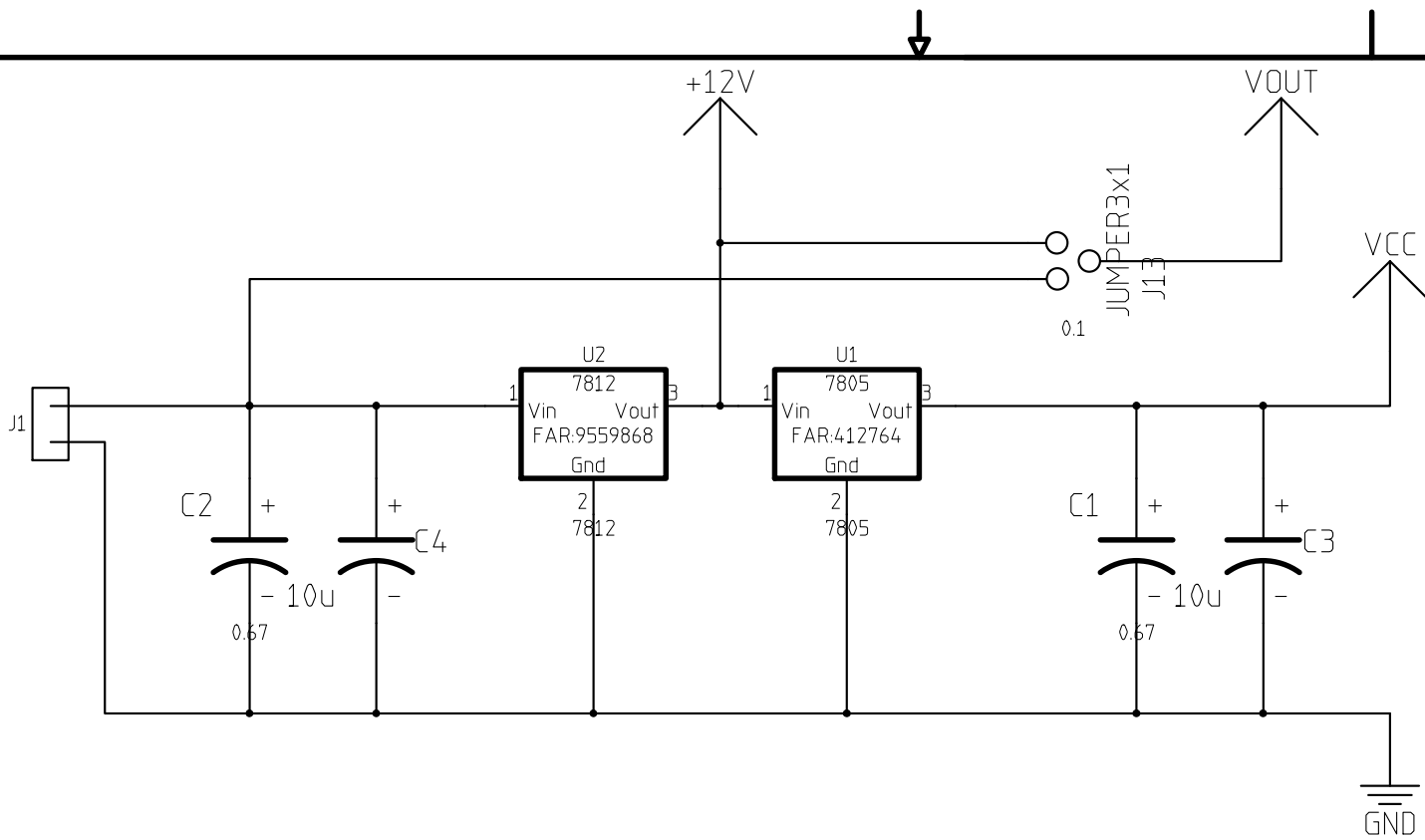
OK no.	@OK_no				
APPROVALS					
DRAWN BY	@ENG	@TITLE			
CHECKED		@Name			
DATE	21-9-2009	SIZE	ScoreBord_Total		VER @VER
TIME:	16:31:42	B			REV @REV
		SHEET 1 of 01			



OR no.	@CR_no			
APPROVALS				
DRAWN BY	QENG	@TITLE @Name		
CHECKED		SIZE	Segment_PCA8574N	VER @VER
DATE	21-9-2009			REV @REV
TIME:	16:30:01	SHEET	1 of 01	



OR no.	@OK_no			
APPROVALS				
DRAWN BY	IGF	@TITLE @Name		
CHECKED		SIZE	UC	VER 1.1
DATE	10-9-2009	C		REV A
TIME:	14:20:27	SHEET	1 of 01	



OK no.	@OK_no				
APPROVALS					
DRAWN BY	IGF	@TITLE @Name			
CHECKED		SIZE	Power	VER	REV
DATE	8-6-2009	A		1.1	A
TIME:	14:12:01	SHEET 1 of 01			